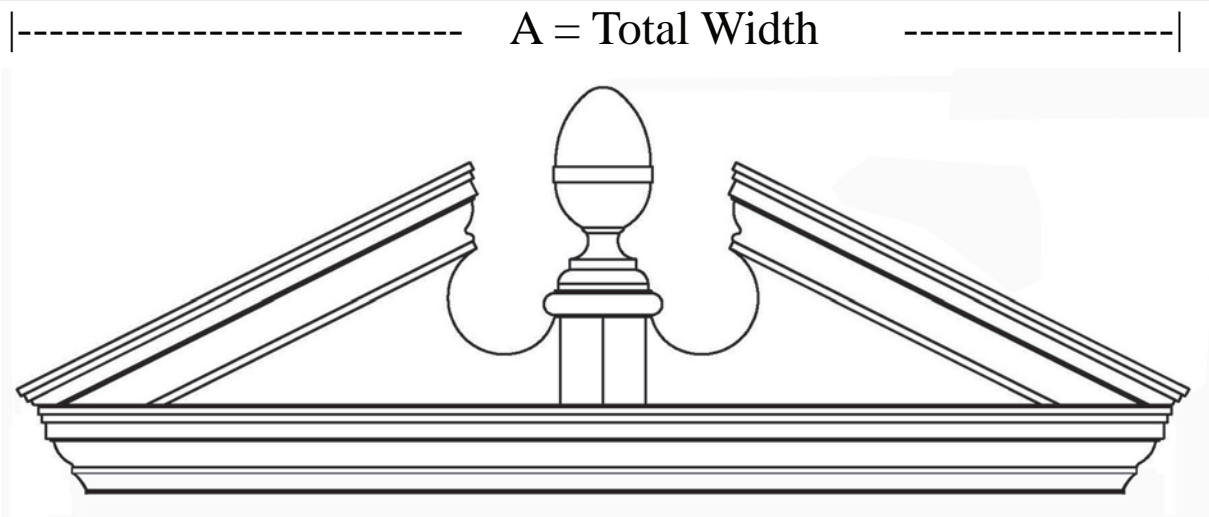




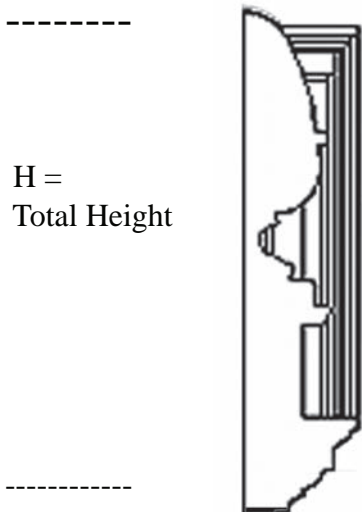
# Broken Peak Pediment Design # 5

## Build Your Own



D = Moulding Bottom

C = Depth



E = Facia Depth

A = Total Width \_\_\_\_\_

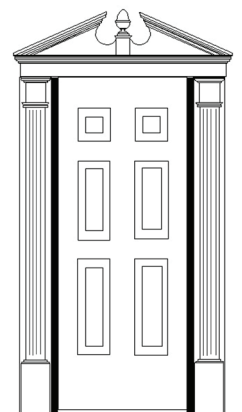
B = Cornice Height \_\_\_\_\_

C = Depth \_\_\_\_\_

Bottom Moulding

D) Width \_\_\_\_\_

E) Depth \_\_\_\_\_



Enter Material \_\_\_\_\_

A) ArchPolymertm B) GRG-NeoPlasterm C) GFRC D) Fiberglass



Imperial Productions®

1-800-399-7585

Imperial Productions & Distribution Inc

email sales@imperialproductions.com copyright 2016 MRDCI All Rights Reserved

JUL-22



# Download & Fill-In Form

Name / Company: \_\_\_\_\_

Phone \_\_\_\_\_ Email \_\_\_\_\_

Billing Address: \_\_\_\_\_

City: \_\_\_\_\_ Prov / State \_\_\_\_\_

PC / Zip Code \_\_\_\_\_

Ship to Address: \_\_\_\_\_

City: \_\_\_\_\_ Prov / State \_\_\_\_\_

PC / Zip Code \_\_\_\_\_

Product Code: \_\_\_\_\_

Quantity: \_\_\_\_\_

Notes: \_\_\_\_\_

Fill-in & Email to [sales@imperialproductions.com](mailto:sales@imperialproductions.com)

